



6/2 WAY DIRECTIONAL VALVES KVH

- NG 10
- Up to 315 bar [5 076 PSI]
- Up to 120 L/min [31.70 GPM]
- Plug-in connector for solenoids to ISO 4400.
- Threaded connections to ISO 9974 (Metric), ISO 1179 (BSPP/Gas), ISO 11926 (UNF).
- Protection of solenoid IP 65 to EN 50529 / IEC 60529.



KVH-6/2-10-N2

Operation

Directional valves type KVH with direct solenoid operation control the direction of the hydraulic medium flow. They are mostly used as link between two consumers and the basic directional valve, when we want to control both consumers alternately by means of one basic directional valve.

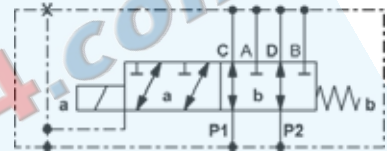
The KVH type directional valves consist of a housing (1), a control spool (2), and a solenoid (3) with return spring (5).

Change-over to the operating position is done by energizing the solenoid (3), whereby the solenoid plunger acts on the control spool (2) via the operating pin (4), thus clearing the corresponding flow ways and establishing respective links between the ports P1, A, B and P2.

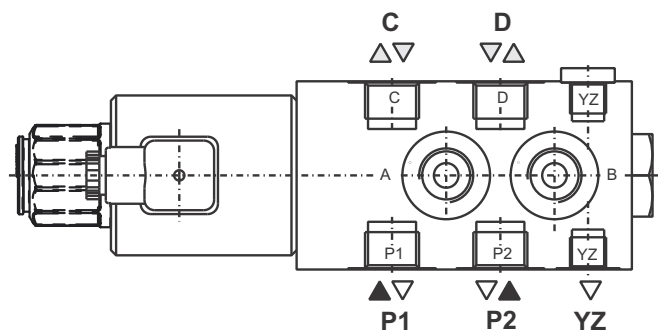
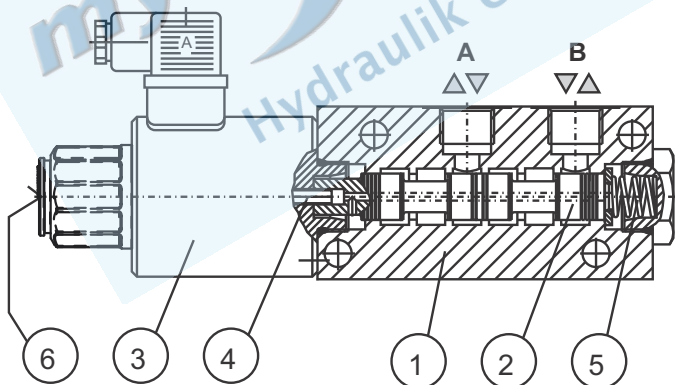
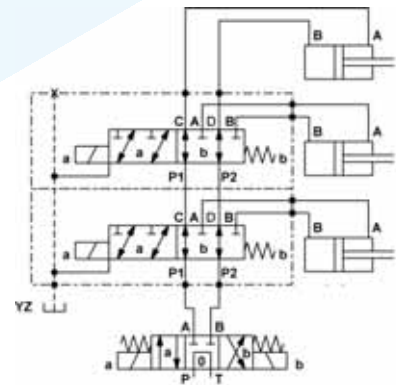
When the solenoid (3) is de-energized, the control spool (2) is returned to its neutral position by the return spring (5), thus establishing again the links between ports P1, C, D and P2.

The change-over can also be done manually by pressing the emergency manual override (6).

Hydraulic symbol



Mounting example



Mechanically operated

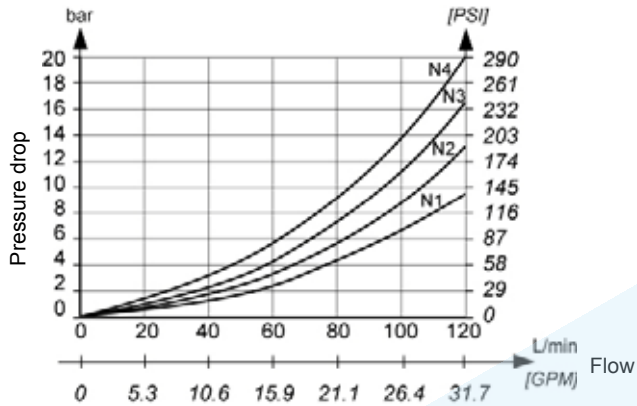
Hydraulically operated

Electrically operated



ΔP-Q Performance curves

Measured at 50°C [122°F] and viscosity of 32 mm²/s [148 SUS].



Model code

K V H - 6 / 2 - 10 - [] - [] - [] - [] - S 4 0 - [] - [] - *

Manual override option

- Emergency manual override No designation
- Manual override with rubber cover G
- Lockable manual override C

Supply voltage

- Direct voltage 24V No designation
- Direct voltage 12V 12 DC

Connector type

- EN 175301-803 without signal lamp No designation
- EN 175301-803 with signal lamp L
- EN 175301-803 without connector K
- AMP Junior timer without connector M
- Deutsch V

Overvoltage protection

- Without overvoltage protection No designation
- With overvoltage protection T

Threaded connections M ; YZ

- M22x1,5 ; M14x1,5 M22
- M27x2 ; M14x1,5 M27
- G1/2 ; G1/4 G1/2
- G3/4 ; G1/4 G3/4
- 7/8-14 UNF-2B ; 9/16-18 UNF-2B SAE 10

Drainage

- Without YZ No designation
- With YZ YZ

Seal type

- NBR seals for mineral oil HL, HLP to DIN 51524 No designation
- FPM seals for HETG, HEES, HEPG to VDMA 24568 and ISO 15380 E

Special requirements to be briefly specified

Number of units	
N1	One
N2	Two
N3	Three
N4	Four
N5	Five

Mechanically operated

Hydraulically operated

Electrically operated